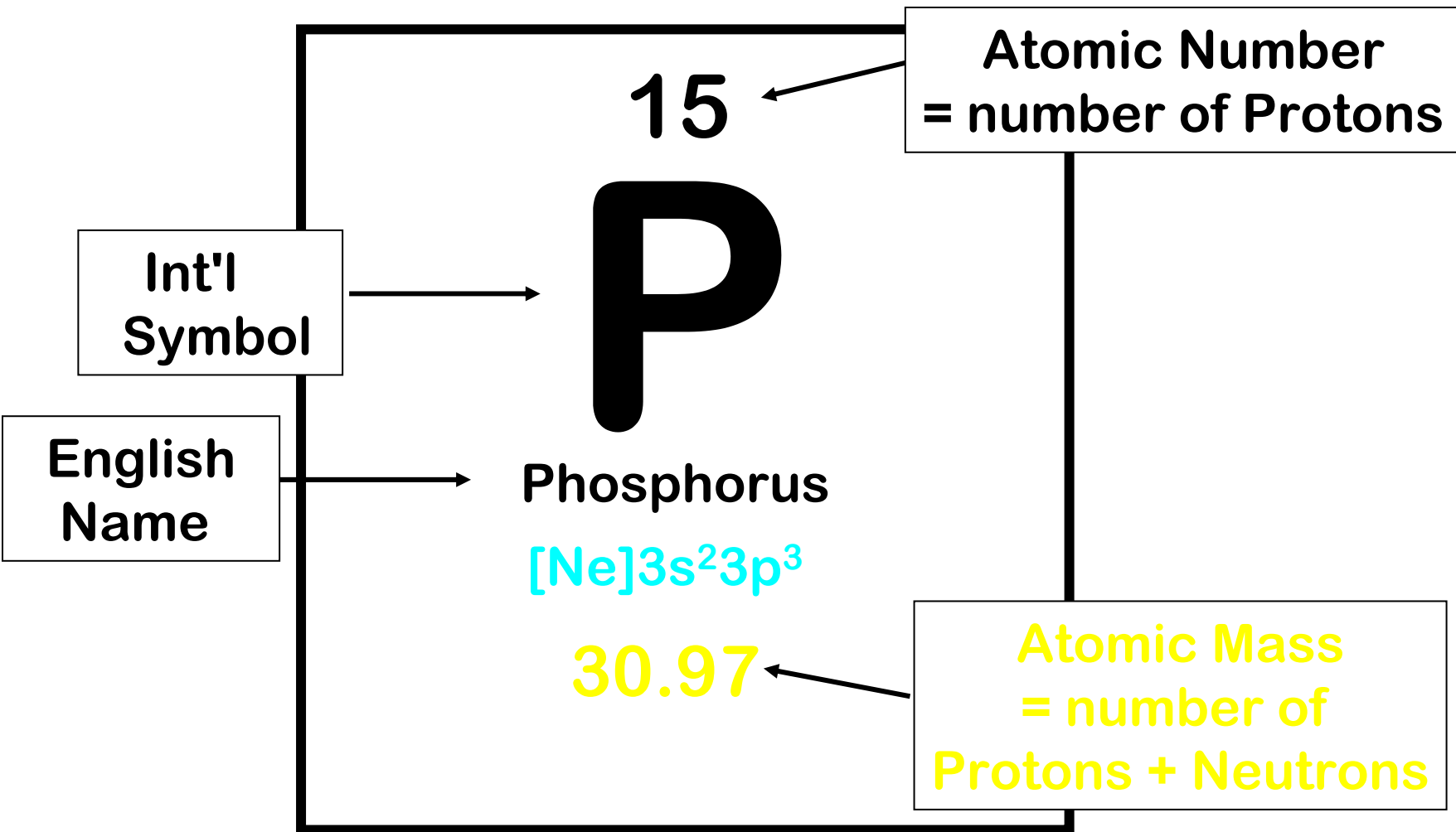


Playing God with Bohr

http://www.classzone.com/books/earth_science/terc/content/investigations/es0501/es0501page04.cfm



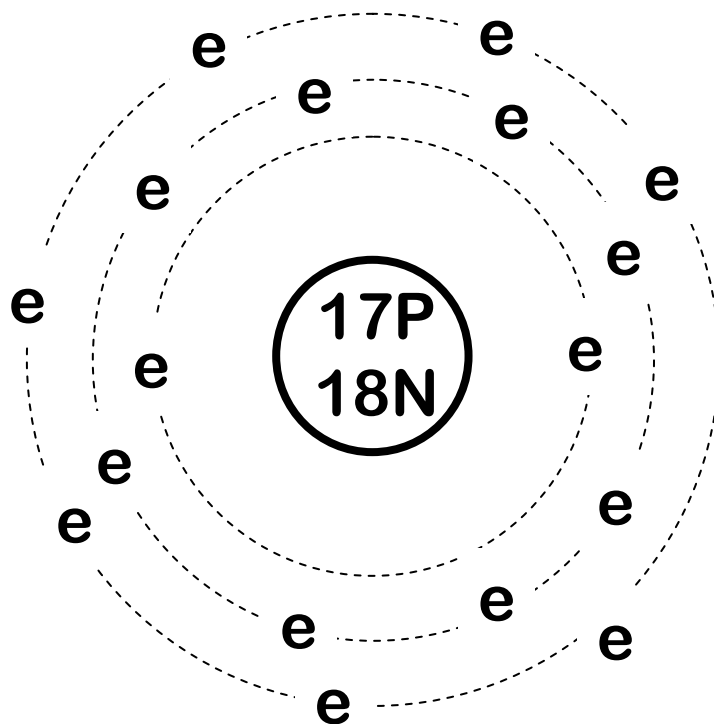
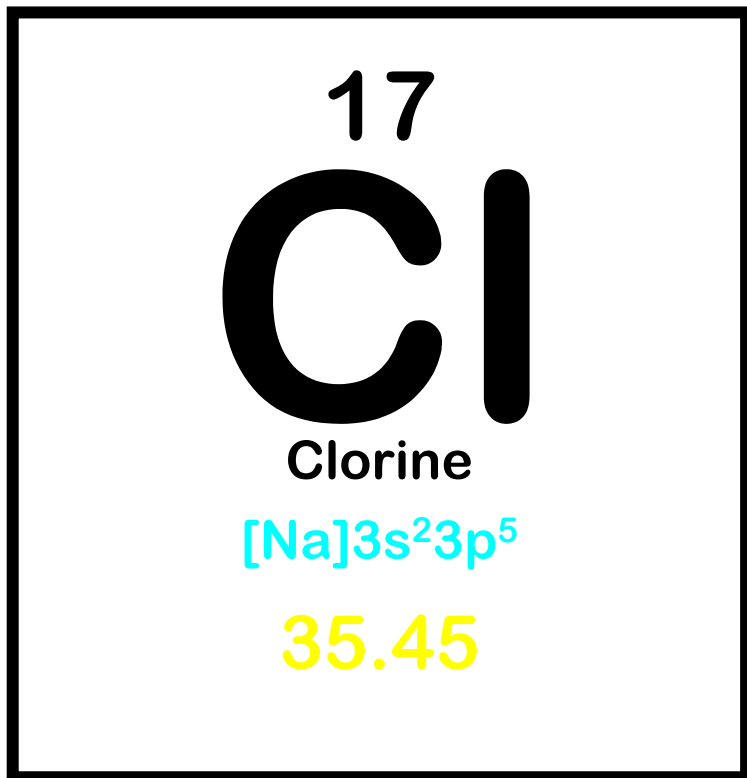
Key Concepts

- Protons = Atomic Number
- Electrons = number of protons
- Neutrons =

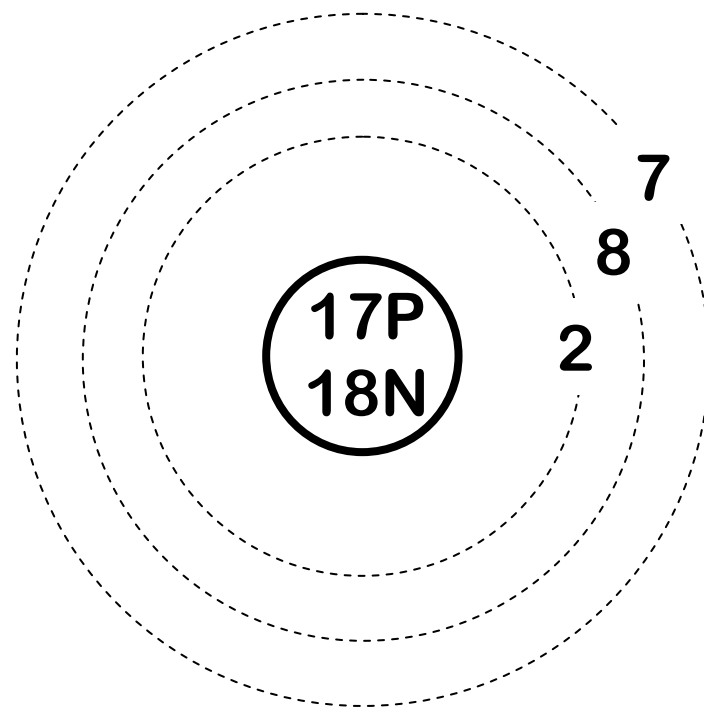
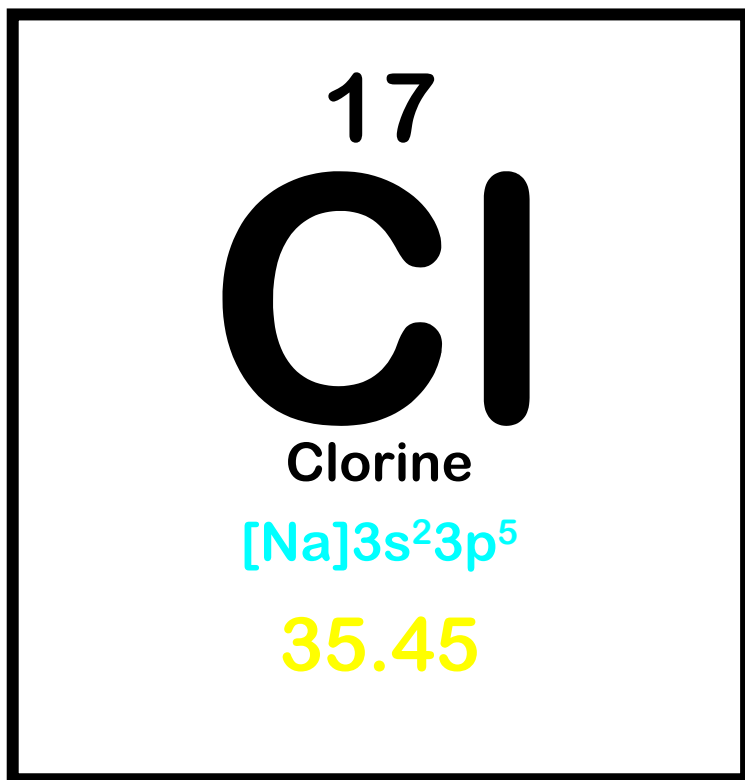
Atomic Mass – Atomic Number

Round Atomic Mass to nearest integer

Complete Bohr Diagram

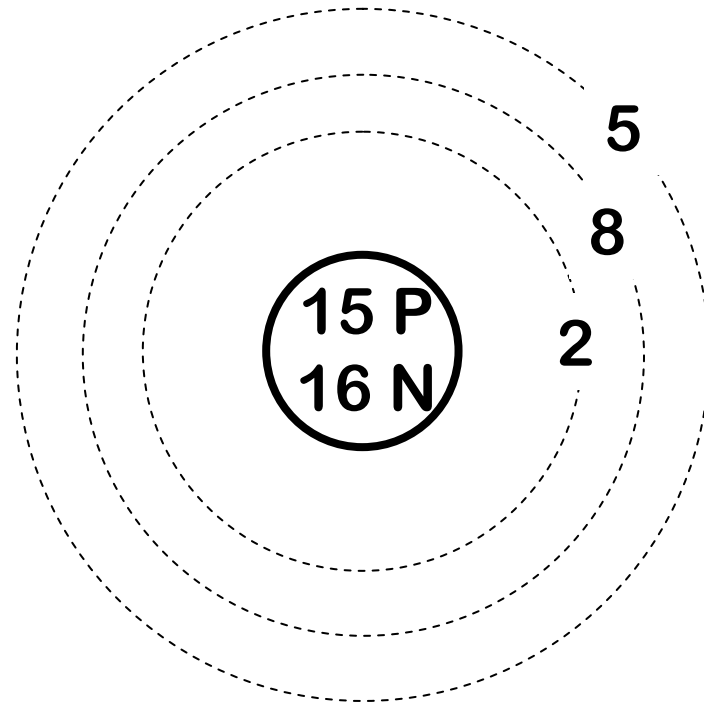


Abbreviated Bohr Diagram

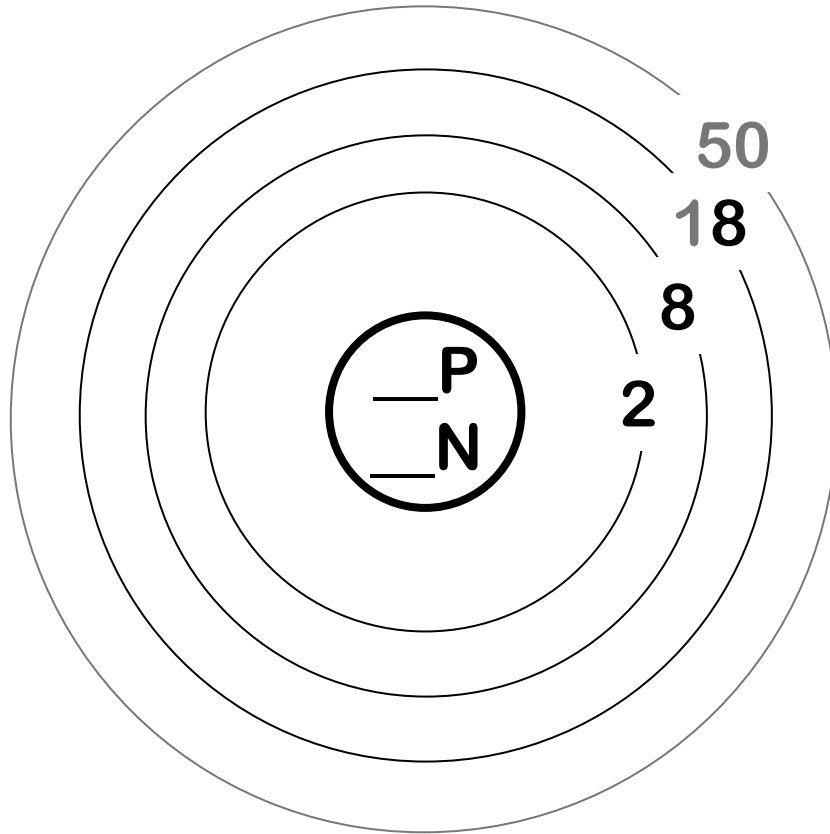


Phosphorus

15
P
Phosphorus
 $[\text{Ne}]3s^23p^3$
30.97



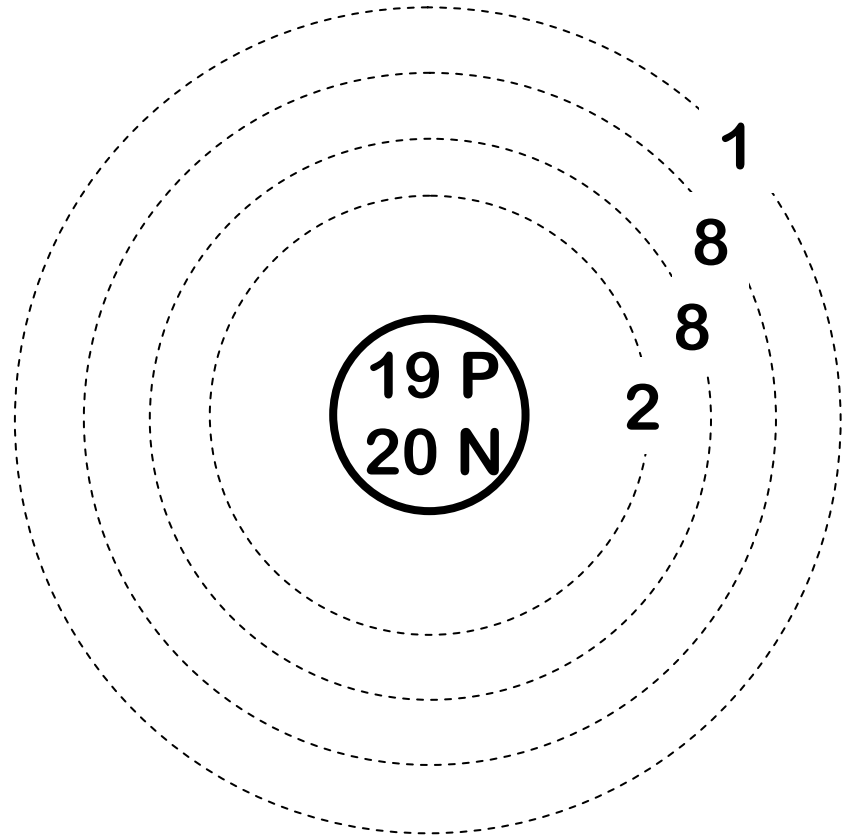
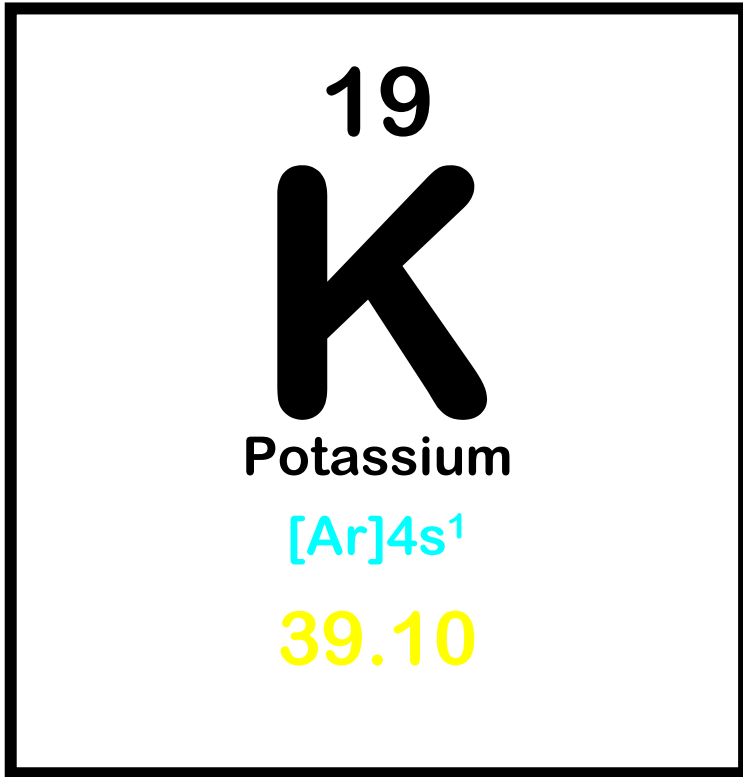
Bohr Model Diagrams



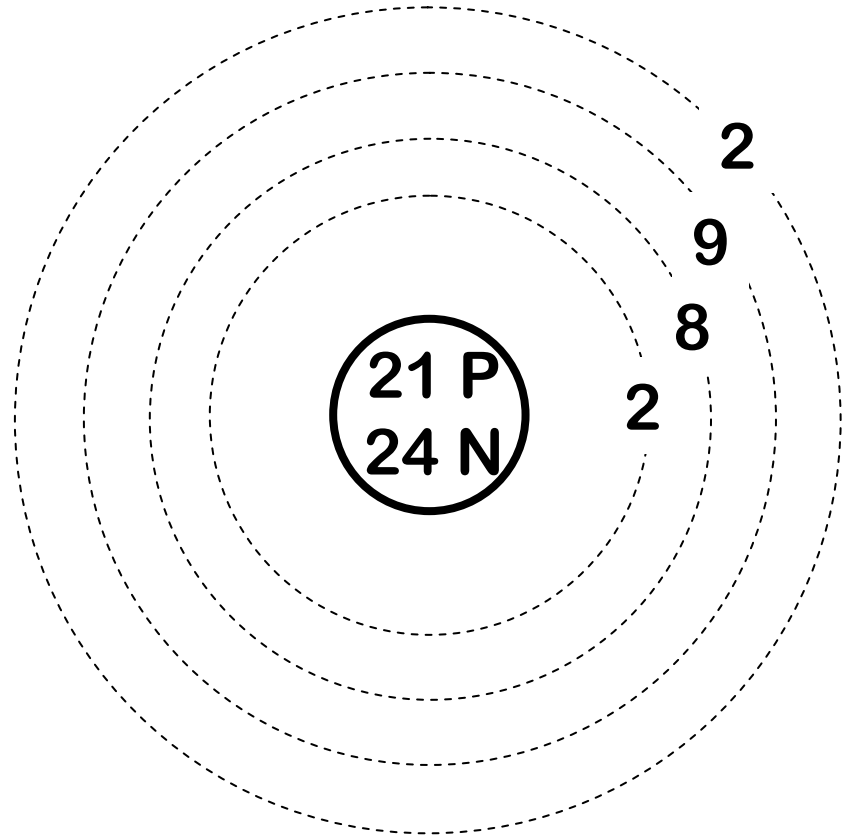
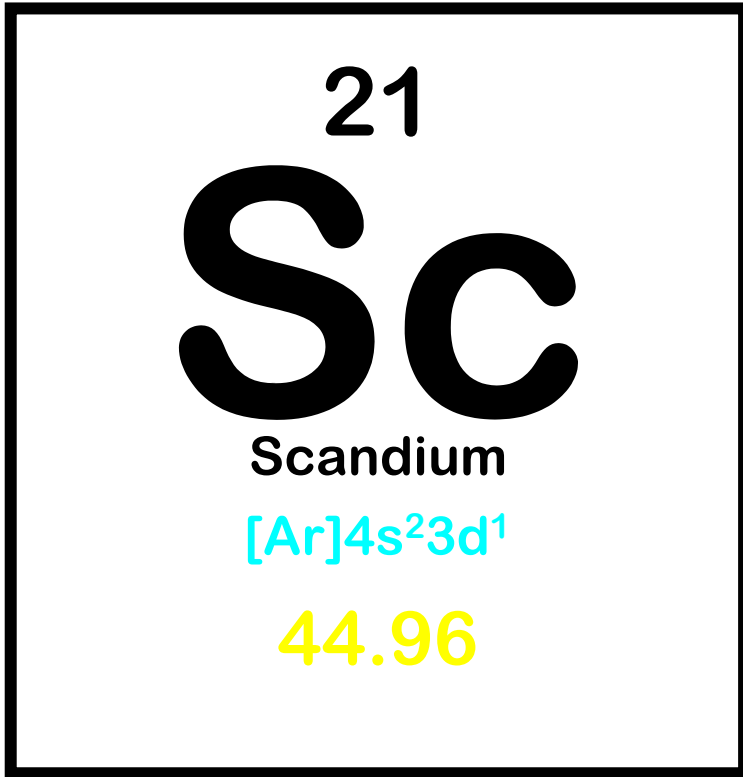
H to Ar easy!

After that it gets tricky...

Phosphorus



Phosphorus



Phosphorus

